

# X-SHIELD MANAGED SECURITY

## PRODUCT OVERVIEW

Large global organizations and government agencies with complex networks are all seeking a reliable security partner for the monitoring and management of their security infrastructure and to protect their network and its connection points against the latest vulnerabilities.

**X-Shield**, a Managed Security service offering from Global Cloud Xchange, helps organizations secure corporate data and intellectual property from external threats and network attacks by providing a strong protective layer, that lets you reduce your security costs and focus on your core business.

Our service offerings range from a simple firewall at remote locations, to complex, multi-layer and high availability set-ups in Data Centers and Core network locations and is designed for Enterprises that may be located at a single site or spread over multiple locations around the world.

GCX has partnered with industry leaders in Information Security such as Dell SecureWorks, Verizon CyberTrust, and others, that provide Network Security and Managed Security Services to Enterprises, to offer advanced Security Services to its customers.

**X-SHIELD'S FLEXIBILITY WILL GIVE YOU THE OPTIMUM SECURITY PROTECTION AS YOUR IT ENVIRONMENT EVOLVES AND YOUR BUSINESS GROWS**

## KEY HIGHLIGHTS

- **A fully-managed** security solution designed to work with each customer's particular network environment
- **Multi-layers** of security built into every system, process and piece of network architecture
- **Multiple security platforms** utilized such as Cisco, Juniper, Fortinet, Checkpoint, Bluecoat to ensure adherence to industry best practices
- A choice of **Standard** (Firewall, Remote access, Proxy and Malware scanning) and **Enhanced** (Firewall, Intrusion Prevention, Log Retention and Log Monitoring) offerings
- **Single interface** for deployment and management of network and security services
- **Centralized** monitoring and management of policies to provide on demand security and reports in compliance with industry standards
- Wide geographic reach with services offered in **160 countries**

# X-SHIELD MANAGED SECURITY

## BENEFITS

X-Shield's fully-managed service provides your IT infrastructure with world-class information and security protection more **cost-effectively and efficiently** than managing your security in-house

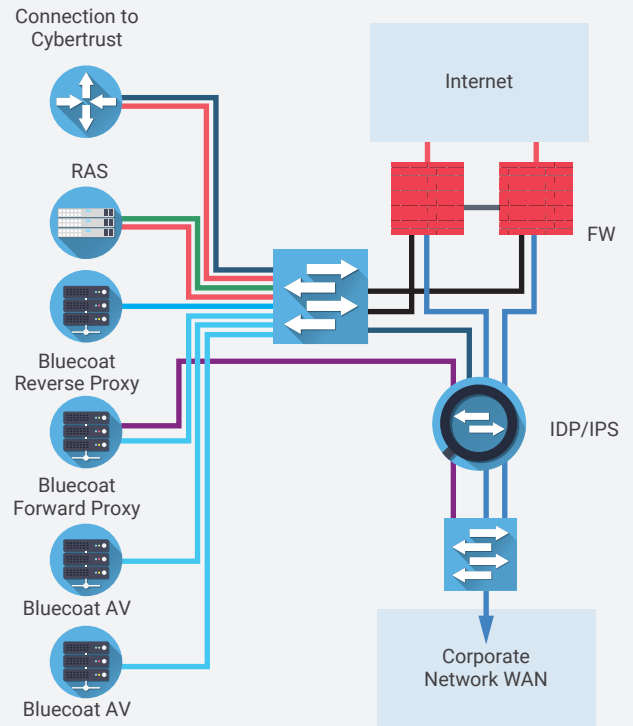
Whether you take online or in-store credit card payments, or store sensitive personal data, X-Shield can help **meet your compliance needs** for PCI DSS, ISO27001 and other information security standards



No matter how complex and extensive your IT environment may be, X-Shield's flexibility will give you the **optimum security protection** as your IT environment evolves and your business grows

By entrusting your mission-critical security and corporate network to GCX you can be rest assured that there is a **single partner accountable** for responding to issues, planning for the future and **keeping your business running at all times**

Expert proactive management, real-time monitoring and threat-response offers up-to-the-minute protection by securing systems against cyber attacks, intrusions and security breaches, meaning your business can continue to **trade with confidence despite the continually evolving threat landscape**



## SERVICE OFFERINGS

- **Firewall** to secure your networks, providing enforcement of policy ensuring only legitimate and authorized traffic passes through the network
  - PSEC and SSL based VPN for remote access solutions
- **Intrusion Prevention System** to act as a critical layer of defense, proactively monitoring malicious activity to protect the network from harmful traffic and provide additional protection above that performed by the firewalls
- **Log Retention** to collect, centralize, and aggregate, long & retention security logs and provide log search, reporting and analysis (in real-time and in bulk, after storage)
- **Log Monitoring** to track, correlate and analyze security logs and alerts across virtually any security technology and critical information asset on a 24x7 basis, and to identify anomalies and respond to threats in real-time
- **Proxy** to dramatically improve performance using the local caching mechanism, preventing unauthorized access & restricting internet access through blocking / filtering mechanism.
- **Anti-malware** solution protecting against viruses, trojans, worms, malware and other forms of malicious content by scanning all web traffic passing through Proxy

## SERVICE FEATURES

- End-to-end service deployment & management through a dedicated, trained and qualified Global Security Operation Center, managing service offerings remotely for customers
- Full service lifecycle including:
  - Supply, installation, configuration & maintenance
  - Security event and appliance health monitoring
  - Security policy management
  - On-site maintenance and break / fix
  - Release and service management
  - Monthly service reporting, suggesting improvements to further enhance the network security
- Proactive 24/7 Monitoring and Incident management
- A range of ETTR based SLAs to replace devices during an outage – 4 Hr, Next Business Day

